



REPLACEMENT SHEET

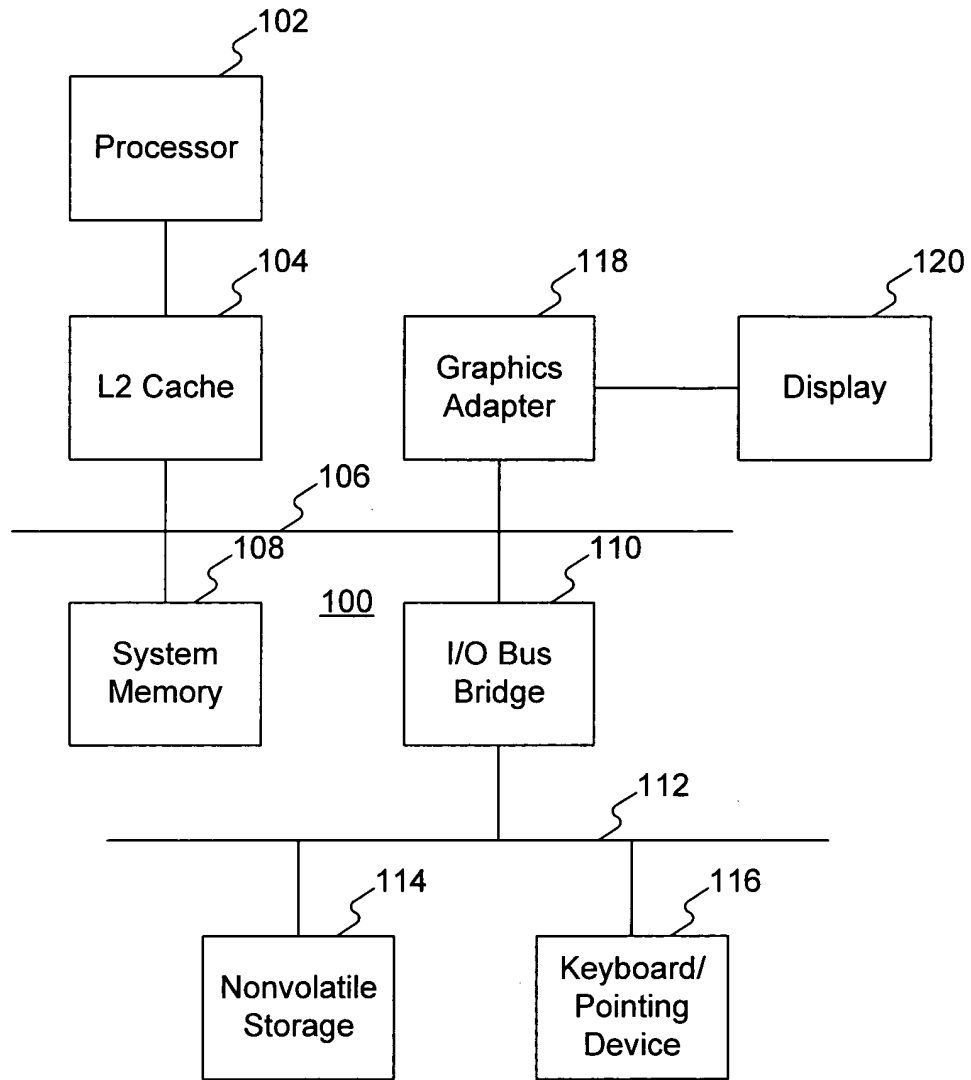


Figure 1

REPLACEMENT SHEET

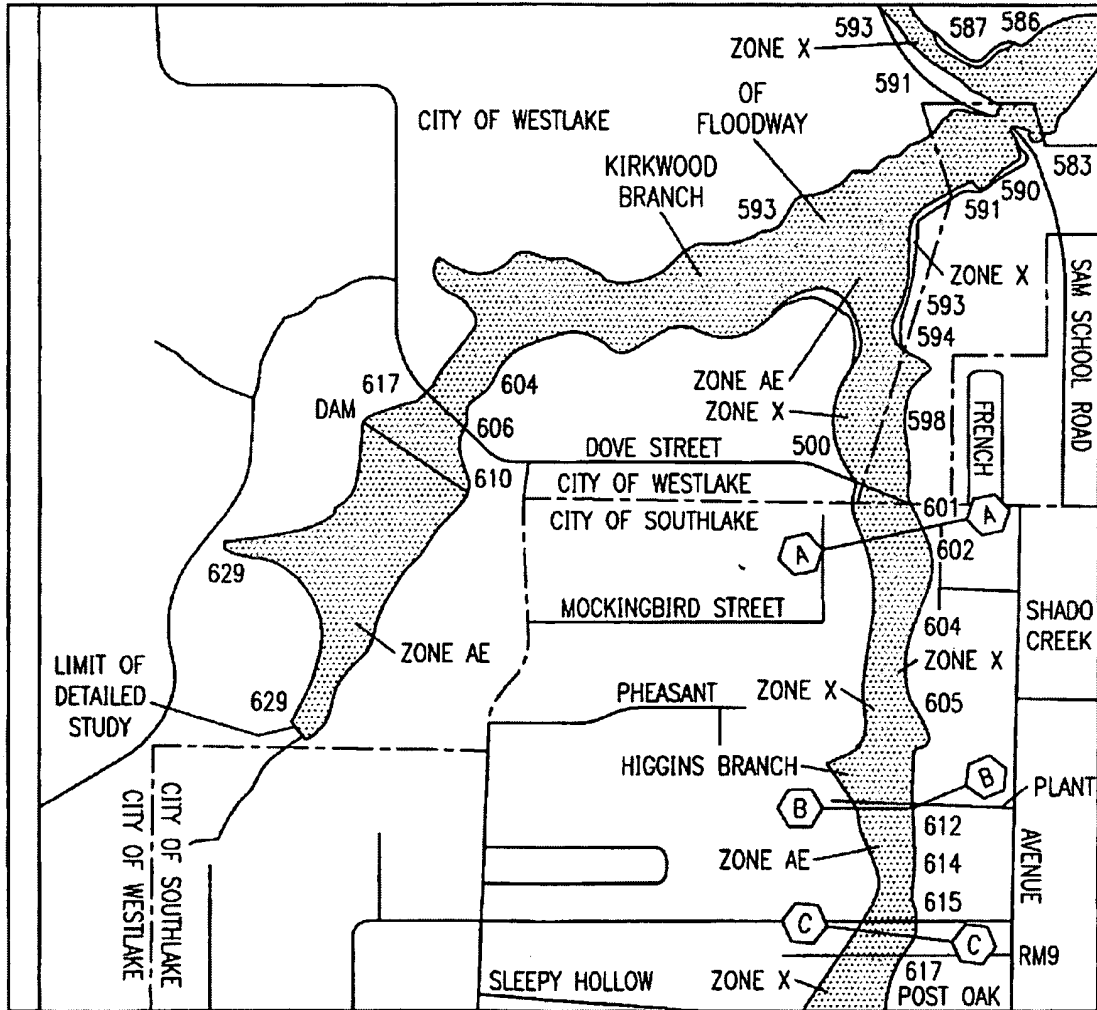


Figure 2

REPLACEMENT SHEET

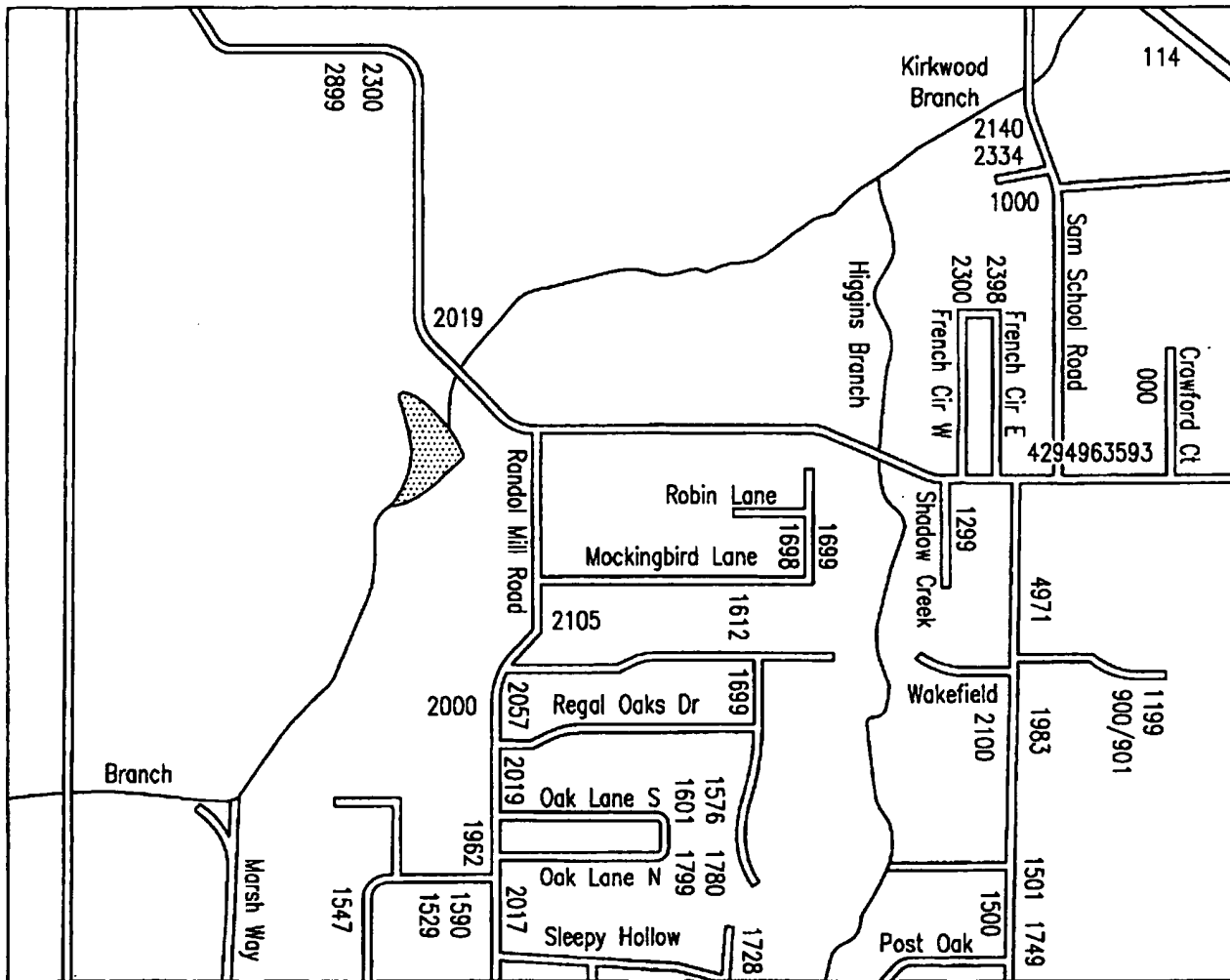


Figure 3

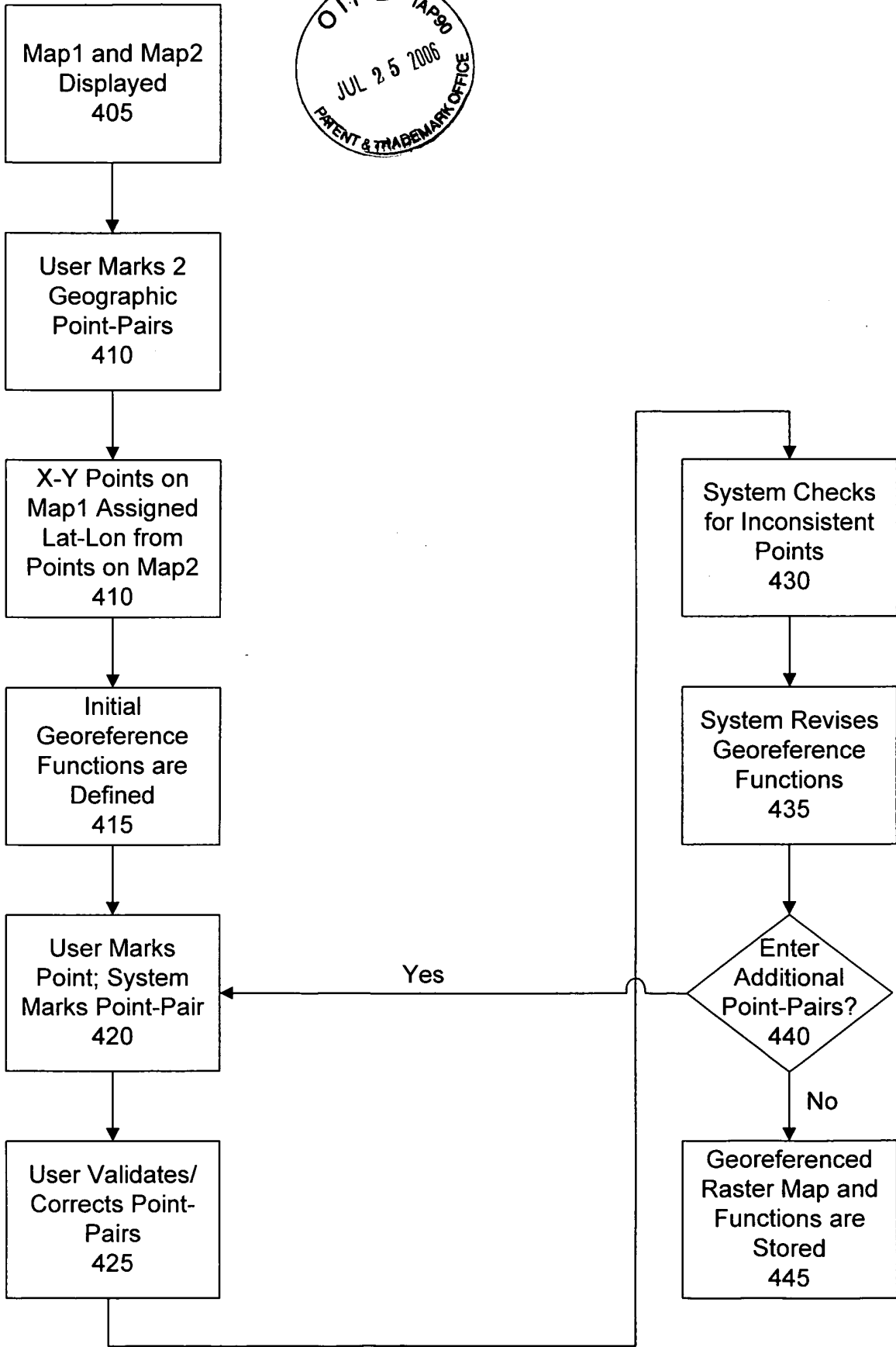


Figure 4